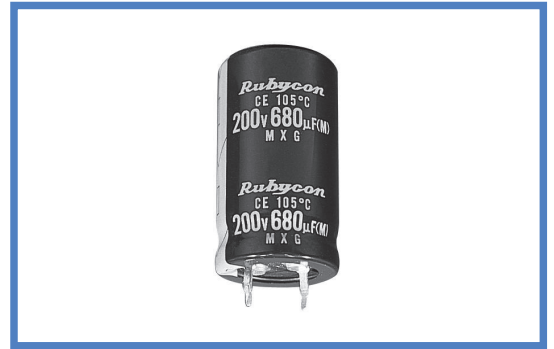


MXG 系列
SERIES
UPGRADE
基板自立型 105℃ 标准品
105℃ Standard, Snap-in Terminal Type
◆ 特 长 / FEATURES

- 105℃、3000小时品。(50~100Vdc:2000小时)
Load Life: 105℃ 3000 hours. (50~100Vdc:2000hours)
- 将以往的MXC系列进一步小型化。
Smaller size than MXC series.
- RoHS指令对应品。
RoHS compliance.


◆ 规格表 / SPECIFICATIONS

项 目 Items	特 性 Characteristics																							
工作温度范围 Category Temperature Range	-40~+105℃	-25~+105℃																						
额定电压范围 Rated Voltage Range	10~250Vdc	315~500Vdc																						
静电容量允许差 Capacitance Tolerance	±20% (20℃, 120Hz)																							
漏 电 流 Leakage Current(MAX)	$I = 3\sqrt{CV}$ (施加额定电压5分钟后) $I = 3\sqrt{CV}$ (After 5 minutes application of rated voltage) I=漏电流 (µA) C=静电容量 (µF) V=额定电压 (Vdc) Leakage Current Capacitance Rated Voltage																							
损失角正切值 (tan δ) Dissipation Factor(MAX)	<table border="1"> <thead> <tr> <th>额定电压 (Vdc) Rated Voltage</th> <th>10</th> <th>16</th> <th>25</th> <th>35</th> <th>50</th> <th>63</th> <th>80~100</th> <th>160~450</th> <th>500</th> <th>(20℃, 120Hz)</th> </tr> </thead> <tbody> <tr> <td>tan δ</td> <td>0.55</td> <td>0.50</td> <td>0.45</td> <td>0.40</td> <td>0.35</td> <td>0.30</td> <td>0.25</td> <td>0.20</td> <td>0.25</td> <td></td> </tr> </tbody> </table>		额定电压 (Vdc) Rated Voltage	10	16	25	35	50	63	80~100	160~450	500	(20℃, 120Hz)	tan δ	0.55	0.50	0.45	0.40	0.35	0.30	0.25	0.20	0.25	
额定电压 (Vdc) Rated Voltage	10	16	25	35	50	63	80~100	160~450	500	(20℃, 120Hz)														
tan δ	0.55	0.50	0.45	0.40	0.35	0.30	0.25	0.20	0.25															
耐 久 性 Endurance	在105℃环境中, 不超过额定电压的范围内叠加额定纹波电流, 连续加载3000小时 (50~100Vdc:2000小时) 后, 满足以下各项要求。 After applying rated voltage with rated ripple current for 3000 hours (50~100Vdc:2000 hours) at 105℃, the capacitors shall meet the following requirements.																							
	静电容量变化率 Capacitance Change	初期值的±20%以内 Within ±20% of the initial value.																						
	损失角正切值 Dissipation Factor	规格值的200%以下 Not more than 200% of the specified value.																						
	漏 电 流 Leakage Current	规格值以下 Not more than the specified value.																						
低温特性 Low Temperature Stability (阻抗比) Impedance Ratio (MAX)	<table border="1"> <thead> <tr> <th>额定电压 (Vdc) Rated Voltage</th> <th>10~100</th> <th>160~250</th> <th>315~450</th> <th>500</th> <th>(120Hz)</th> </tr> </thead> <tbody> <tr> <td>Z(-25℃)/Z(20℃)</td> <td>3</td> <td>4</td> <td>8</td> <td>12</td> <td></td> </tr> <tr> <td>Z(-40℃)/Z(20℃)</td> <td>12</td> <td>15</td> <td>-</td> <td>-</td> <td></td> </tr> </tbody> </table>		额定电压 (Vdc) Rated Voltage	10~100	160~250	315~450	500	(120Hz)	Z(-25℃)/Z(20℃)	3	4	8	12		Z(-40℃)/Z(20℃)	12	15	-	-					
额定电压 (Vdc) Rated Voltage	10~100	160~250	315~450	500	(120Hz)																			
Z(-25℃)/Z(20℃)	3	4	8	12																				
Z(-40℃)/Z(20℃)	12	15	-	-																				

◆ 纹波电流修正系数 / MULTIPLIER FOR RIPPLE CURRENT

频率 (Hz) Frequency	60(50)	120(100)	300	500	1k	10k≤	
系数 Coefficient	10~100Vdc	0.90	1.00	1.03	1.05	1.10	1.15
	160~250Vdc	0.80	1.00	1.15	1.20	1.30	1.50
	315~500Vdc	0.80	1.00	1.15	1.20	1.25	1.40

◆ 产品型号体系 / PART NUMBER

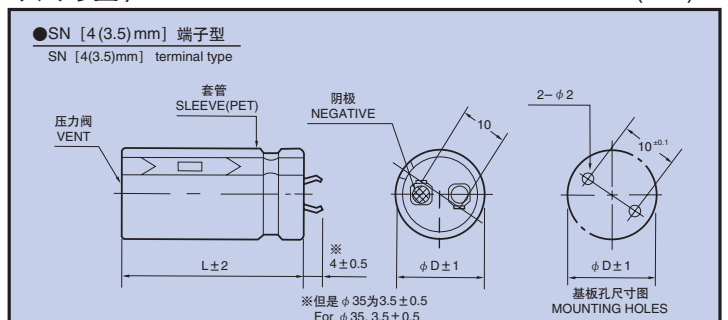
□□□	MXG	□□□□□	M	□□□	SN	D×L
额定电压 Rated Voltage	系列名称 Series	静电容量 Capacitance	静电容量允许差 Capacitance Tolerance	副记号 Option	端子记号 Terminal Code	铝壳尺寸 Case Size

◆ 副记号 / OPTION

副记号	记号 Code
PET套管, 无底板 PET Sleeve without plate	EFC

◆ 尺寸图 / DIMENSIONS

(mm)





基板自立型铝电解电容器

SNAP-IN ALUMINUM ELECTROLYTIC CAPACITORS

MXG

◆标准品一览表/STANDARD SIZE

Cap (μ F)	Vdc ϕ D	10					16					
		ϕ 20	ϕ 22	ϕ 25	ϕ 30	ϕ 35	ϕ 20	ϕ 22	ϕ 25	ϕ 30	ϕ 35	
6800		20×25; 1.31					20×25; 1.80					
8200		20×30; 1.59					20×30; 2.08	22×25; 2.08				
10000		20×30; 1.88	22×25; 1.77				20×35; 2.15	22×30; 2.15				
12000		20×35; 2.18	22×30; 2.10	25×25; 1.94			20×40; 2.31	22×30; 2.31	25×25; 2.31			
15000		20×40; 2.27	22×35; 2.23	25×30; 2.10				22×35; 2.68	25×30; 2.68			
18000			22×40; 2.41	25×30; 2.34	30×25; 2.25			22×40; 3.20	25×30; 3.20	30×25; 3.20		
22000			22×45; 2.58	25×35; 2.54	30×30; 2.50			22×45; 3.36	25×35; 3.36	30×30; 3.36		
27000			22×50; 3.17	25×40; 3.07	30×30; 2.95			22×50; 3.85	25×40; 3.85	30×30; 3.85		
33000				25×45; 3.39	30×35; 3.33	35×30; 3.21			25×45; 4.30	30×35; 4.30	35×30; 4.30	
39000					30×40; 3.70	35×35; 3.68			25×50; 4.81	30×40; 4.81	35×35; 4.81	
47000					30×45; 4.22	35×40; 4.16				30×45; 5.53	35×40; 5.53	
56000						35×45; 5.00				30×50; 6.00	35×45; 6.00	
68000											35×50; 6.40	

Cap (μ F)	Vdc ϕ D	25					35					
		ϕ 20	ϕ 22	ϕ 25	ϕ 30	ϕ 35	ϕ 20	ϕ 22	ϕ 25	ϕ 30	ϕ 35	
2700							20×25; 1.29					
3300							20×30; 1.57					
3900							20×30; 1.78	22×25; 1.78				
4700		20×25; 1.65					20×35; 2.02	22×30; 2.02				
5600		20×30; 1.85	22×25; 1.85				20×40; 2.13	22×35; 2.13	25×25; 2.13			
6800		20×35; 2.11	22×30; 2.11					22×40; 2.41	25×30; 2.41			
8200		20×40; 2.34	22×30; 2.34	25×25; 2.34				22×45; 2.85	25×35; 2.85	30×25; 2.85		
10000			22×35; 2.65	25×30; 2.65				22×50; 3.05	25×40; 3.05	30×30; 3.05		
12000			22×40; 2.81	25×30; 2.81	30×25; 2.81				25×45; 3.37	30×35; 3.37	35×30; 3.37	
15000			22×45; 3.13	25×35; 3.13	30×30; 3.13				25×50; 3.72	30×40; 3.72	35×35; 3.72	
18000				25×40; 3.56	30×30; 3.56					30×45; 4.37	35×35; 4.37	
22000				25×50; 4.04	30×35; 4.04	35×30; 4.04				30×50; 4.92	35×40; 4.92	
27000					30×40; 4.74	35×35; 4.74					35×50; 5.30	
33000					30×50; 5.50	35×40; 5.50						
39000						35×45; 5.80						
47000						35×50; 6.30						

Cap (μ F)	Vdc ϕ D	50					63					
		ϕ 20	ϕ 22	ϕ 25	ϕ 30	ϕ 35	ϕ 20	ϕ 22	ϕ 25	ϕ 30	ϕ 35	
1500							20×25; 1.47					
1800							20×30; 1.58					
2200		20×25; 1.60					20×35; 1.82					
2700		20×30; 1.73	22×25; 1.73					22×30; 2.11	25×25; 2.11			
3300		20×35; 1.97	22×30; 1.97					22×35; 2.33	25×30; 2.33			
3900		20×40; 2.22	22×35; 2.22	25×25; 2.22				22×40; 2.55	25×30; 2.55	30×25; 2.55		
4700		20×45; 2.43	22×40; 2.43	25×30; 2.43				22×45; 2.97	25×35; 2.97	30×30; 2.97		
5600			22×45; 2.75	25×35; 2.75	30×25; 2.75				25×40; 3.22	30×30; 3.22	35×25; 3.22	
6800			22×50; 3.30	25×40; 3.30	30×30; 3.30	35×25; 3.30			25×45; 3.65	30×35; 3.65	35×30; 3.65	
8200				25×45; 3.60	30×35; 3.60	35×30; 3.60				30×40; 4.04	35×35; 4.04	
10000				25×50; 4.05	30×40; 4.05	35×30; 4.05				30×45; 4.48	35×40; 4.48	
12000					30×45; 4.56	35×35; 4.56					35×45; 4.75	
15000					30×50; 4.77	35×40; 4.77					35×50; 5.25	

Cap (μ F)	Vdc ϕ D	80					100					
		ϕ 20	ϕ 22	ϕ 25	ϕ 30	ϕ 35	ϕ 20	ϕ 22	ϕ 25	ϕ 30	ϕ 35	
680							20×25; 1.15					
820							20×30; 1.32	22×25; 1.32				
1000		20×25; 1.24					20×30; 1.47	22×30; 1.47				
1200		20×30; 1.44	22×25; 1.44				20×35; 1.69	22×30; 1.69	25×25; 1.69			
1500		20×30; 1.59	22×30; 1.59					22×35; 1.98	25×30; 1.98			
1800		20×35; 1.79	22×30; 1.79	25×25; 1.79				22×40; 2.23	25×35; 2.23	30×25; 2.23		
2200		20×40; 2.03	22×35; 2.03	25×30; 2.03					25×40; 2.55	30×30; 2.55	35×25; 2.55	
2700			22×40; 2.39	25×35; 2.39	30×25; 2.39				25×45; 2.89	30×35; 2.89	35×30; 2.89	
3300			22×50; 2.64	25×40; 2.64	30×30; 2.64	35×25; 2.64			25×50; 3.30	30×40; 3.30	35×35; 3.30	
3900				25×45; 2.97	30×30; 2.97	35×30; 2.97				30×45; 3.67	35×35; 3.67	
4700				25×50; 3.38	30×35; 3.38	35×30; 3.38				30×50; 3.80	35×40; 3.80	
5600					30×40; 3.80	35×35; 3.80					35×45; 4.05	
6800					30×50; 4.10	35×40; 4.10						
8200						35×45; 4.30						

↑ 纹波电流 Ripple Current (A r.m.s./120Hz, 105°C)
↑ 铝壳尺寸 Case Size ϕ D×L(mm)



基板自立型铝电解电容器

SNAP-IN ALUMINUM ELECTROLYTIC CAPACITORS

MXG

◆标准品一览表/STANDARD SIZE

Cap (μ F)	Vdc ϕ D	160					180												
		ϕ 20	ϕ 22	ϕ 25	ϕ 30	ϕ 35	ϕ 20	ϕ 22	ϕ 25	ϕ 30	ϕ 35								
330	20x25	1.32					20x25	1.32											
390	20x25	1.39					20x30	1.53	22x25	1.43									
470	20x30	1.62	22x25	1.51			20x35	1.75	22x30	1.67									
560	20x35	1.85	22x30	1.75			20x40	1.98	22x30	1.75	25x25	1.59							
680	20x40	2.09	22x30	1.83	25x25	1.70	20x45	2.22	22x35	2.01	25x30	1.86							
820	20x50	2.47	22x35	2.10	25x30	2.00			22x40	2.27	25x35	2.14	30x25	2.00					
1000			22x40	2.37	25x35	2.20	30x25	2.20		22x50	2.68	25x40	2.40	30x30	2.20	35x25	2.20		
1200			22x55	2.98	25x40	2.50	30x30	2.30	35x25	2.30		22x60	3.09	25x45	2.67	30x35	2.30	35x30	2.30
1500					25x45	2.80	30x35	2.50	35x30	2.50				25x50	2.99	30x40	2.54	35x30	2.50
1800					25x60	3.43	30x40	2.70	35x35	2.70						30x45	2.79	35x35	2.70
2200							30x45	2.90	35x40	2.90						30x50	3.12	35x40	2.90
2700							30x60	3.58	35x45	3.10								35x50	3.10
3300									35x55	3.24								35x60	3.44

Cap (μ F)	Vdc ϕ D	200					220										
		ϕ 20	ϕ 22	ϕ 25	ϕ 30	ϕ 35	ϕ 20	ϕ 22	ϕ 25	ϕ 30	ϕ 35						
220							20x25	1.17									
270	20x25	1.25					20x30	1.36	22x25	1.29							
330	20x30	1.46	22x25	1.37			20x30	1.46	22x25	1.37							
390	20x30	1.54	22x25	1.44			20x35	1.66	22x30	1.58	25x25	1.46					
470	20x35	1.76	22x30	1.67	25x25	1.53	20x40	1.87	22x35	1.81	25x25	1.53					
560	20x40	1.98	22x35	1.90	25x25	1.60	20x45	2.09	22x40	2.04	25x30	1.79	30x25	1.61			
680	20x50	2.34	22x40	2.15	25x30	1.85	30x25	1.75		22x45	2.29	25x35	2.05	30x25	1.78		
820			22x45	2.41	25x35	2.12	30x25	2.04		22x50	2.54	25x40	2.31	30x30	1.93	35x25	1.93
1000			22x55	2.84	25x45	2.58	30x30	2.30			25x50	2.72	30x35	2.33	35x30	2.33	
1200					25x50	2.84	30x35	2.65	35x30	2.65		25x55	2.96	30x40	2.50	35x35	2.50
1500					25x60	3.28	30x45	2.80	35x35	2.80				30x50	2.92	35x40	2.76
1800							30x50	3.08	35x40	3.08				30x60	3.38	35x45	3.11
2200							30x60	3.45	35x45	3.48						35x55	3.67
2700									35x55	4.05							

Cap (μ F)	Vdc ϕ D	250					315										
		ϕ 20	ϕ 22	ϕ 25	ϕ 30	ϕ 35	ϕ 20	ϕ 22	ϕ 25	ϕ 30	ϕ 35						
120							20x25	0.86									
150							20x30	1.00	22x25	0.98							
180							20x35	1.14	22x30	1.13							
220	20x25	1.17					20x40	1.30	22x30	1.22	25x25	1.17					
270	20x30	1.36	22x25	1.30			20x45	1.48	22x35	1.40	25x30	1.37					
330	20x35	1.57	22x30	1.51	25x25	1.41	20x50	1.67	22x40	1.59	25x35	1.56	30x25	1.38			
390	20x40	1.76	22x35	1.71	25x25	1.47			22x50	1.84	25x35	1.65	30x30	1.60	35x25	1.44	
470	20x45	1.98	22x40	1.94	25x30	1.71	30x25	1.57		22x55	2.05	25x45	1.96	30x35	1.83	35x30	1.71
560			22x45	2.16	25x35	1.95	30x25	1.60			25x50	2.17	30x35	1.89	35x30	1.72	
680			22x50	2.40	25x40	2.20	30x30	1.87	35x25	1.70		25x55	2.41	30x40	2.12	35x35	1.98
820			22x60	2.77	25x45	2.45	30x35	2.14	35x30	2.00				30x50	2.51	35x40	2.22
1000					25x55	2.87	30x40	2.40	35x35	2.20				30x55	2.75	35x45	2.45
1200							30x45	2.65	35x35	2.30						35x50	2.67
1500							30x55	3.12	35x45	2.67						35x60	3.08
1800									35x50	2.89							
2200									35x60	3.32							

Cap (μ F)	Vdc ϕ D	350					385												
		ϕ 20	ϕ 22	ϕ 25	ϕ 30	ϕ 35	ϕ 20	ϕ 22	ϕ 25	ϕ 30	ϕ 35								
100	20x25	0.81					20x25	0.81											
120	20x30	0.93	22x25	0.91			20x30	0.94	22x25	0.91									
150	20x35	1.08	22x30	1.06			20x35	1.08	22x30	1.07									
180	20x40	1.22	22x30	1.14	25x25	1.10	20x40	1.22	22x35	1.21	25x25	1.11							
220	20x45	1.38	22x35	1.31	25x30	1.28	20x45	1.39	22x40	1.38	25x30	1.29	30x25	1.25					
270	20x50	1.56	22x45	1.55	25x35	1.47	30x25	1.31		22x45	1.56	25x35	1.47	30x30	1.46				
330			22x50	1.75	25x40	1.67	30x30	1.53	35x25	1.39		22x55	1.81	25x40	1.67	30x30	1.53	35x25	1.37
390			22x55	1.93	25x45	1.86	30x35	1.74	35x30	1.63		22x60	2.00	25x50	1.94	30x35	1.73	35x30	1.62
470					25x50	2.06	30x40	1.96	35x30	1.66				25x55	2.15	30x40	1.94	35x35	1.84
560					25x55	2.27	30x45	2.17	35x35	1.90						30x45	2.15	35x40	2.07
680							30x50	2.40	35x40	2.13						30x55	2.51	35x45	2.29
820							30x55	2.62	35x45	2.36								35x50	2.50
1000									35x55	2.77								35x60	2.89
1200									35x60	2.97									

↑ 纹波电流 Ripple Current (A r.m.s./120Hz,105°C)
↑ 铝壳尺寸 Case Size ϕ DxL(mm)

◆标准品一览表/STANDARD SIZE

Cap (μ F)	Vdc ϕ D	400					420					
		ϕ 20	ϕ 22	ϕ 25	ϕ 30	ϕ 35	ϕ 20	ϕ 22	ϕ 25	ϕ 30	ϕ 35	
68		20x25; 0.69					20x25; 0.69					
82		20x25; 0.75	22x25; 0.78				20x25; 0.75	22x25; 0.78				
100		20x30; 0.87	22x25; 0.85				20x30; 0.86	22x25; 0.85	25x25; 0.88			
120		20x35; 0.99	22x30; 0.97	25x25; 0.96			20x35; 0.98	22x30; 0.97	25x25; 0.95			
150		20x40; 1.13	22x35; 1.13	25x25; 1.04			20x40; 1.13	22x35; 1.12	25x30; 1.11	30x25; 1.10		
180		20x40; 1.23	22x35; 1.22	25x30; 1.20	30x25; 1.18		20x45; 1.27	22x40; 1.27	25x30; 1.19	30x25; 1.16		
220		20x50; 1.44	22x45; 1.44	25x35; 1.37	30x25; 1.25			22x45; 1.43	25x35; 1.36	30x30; 1.35	35x25; 1.27	
270			22x50; 1.62	25x40; 1.56	30x30; 1.45	35x25; 1.34		22x50; 1.62	25x40; 1.55	30x30; 1.43	35x25; 1.30	
330			22x55; 1.82	25x45; 1.76	30x35; 1.66	35x30; 1.57		22x60; 1.86	25x50; 1.74	30x35; 1.64	35x30; 1.54	
390				25x50; 1.94	30x40; 1.86	35x30; 1.60			25x55; 2.00	30x40; 1.83	35x35; 1.75	
470				25x55; 2.15	30x45; 2.07	35x35; 1.83			25x60; 2.21	30x45; 2.04	35x40; 1.97	
560					30x50; 2.28	35x40; 2.05				30x55; 2.35	35x45; 2.18	
680					30x55; 2.50	35x45; 2.27				30x60; 2.57	35x50; 2.39	
820						35x55; 2.65					35x55; 2.59	

Cap (μ F)	Vdc ϕ D	450					500					
		ϕ 20	ϕ 22	ϕ 25	ϕ 30	ϕ 35	ϕ 20	ϕ 22	ϕ 25	ϕ 30	ϕ 35	
39							20x25; 0.51					
47							20x30; 0.59	22x25; 0.58				
56		20x25; 0.63					20x35; 0.67	22x30; 0.66				
68		20x25; 0.69	22x25; 0.72				20x40; 0.76	22x30; 0.73	25x25; 0.72			
82		20x30; 0.80	22x25; 0.78				20x45; 0.85	22x35; 0.83	25x30; 0.83	30x25; 0.83		
100		20x35; 0.91	22x30; 0.90	25x25; 0.89				22x40; 0.94	25x35; 0.94	30x25; 0.91		
120		20x35; 0.99	22x30; 0.98	25x25; 0.95				22x50; 1.08	25x35; 1.02	30x30; 1.04	35x25; 1.01	
150		20x45; 1.18	22x35; 1.13	25x30; 1.11	30x25; 1.10			22x55; 1.24	25x45; 1.21	30x35; 1.19	35x30; 1.18	
180			22x40; 1.27	25x35; 1.27	30x25; 1.16			22x60; 1.38	25x50; 1.36	30x40; 1.34	35x30; 1.25	
220			22x50; 1.49	25x40; 1.44	30x30; 1.35	35x25; 1.26			25x55; 1.52	30x45; 1.51	35x40; 1.51	
270			22x55; 1.68	25x45; 1.62	30x35; 1.55	35x30; 1.48				30x50; 1.69	35x40; 1.62	
330				25x50; 1.82	30x40; 1.75	35x30; 1.52				30x55; 1.89	35x45; 1.81	
390				25x60; 2.07	30x45; 1.93	35x35; 1.74					35x55; 2.08	
470					30x50; 2.14	35x40; 1.95					35x60; 2.28	
560					30x55; 2.34	35x45; 2.16						
680						35x55; 2.51						
820						35x60; 2.71						

↑ 纹波电流 Ripple Current (A r.m.s./120Hz, 105°C)
铝壳尺寸 Case Size ϕ D x L (mm)